

SIGN	DATE	DESCRIPTION	APPROVER
△			

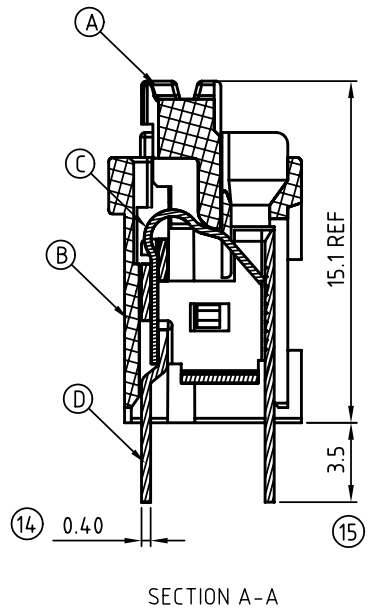
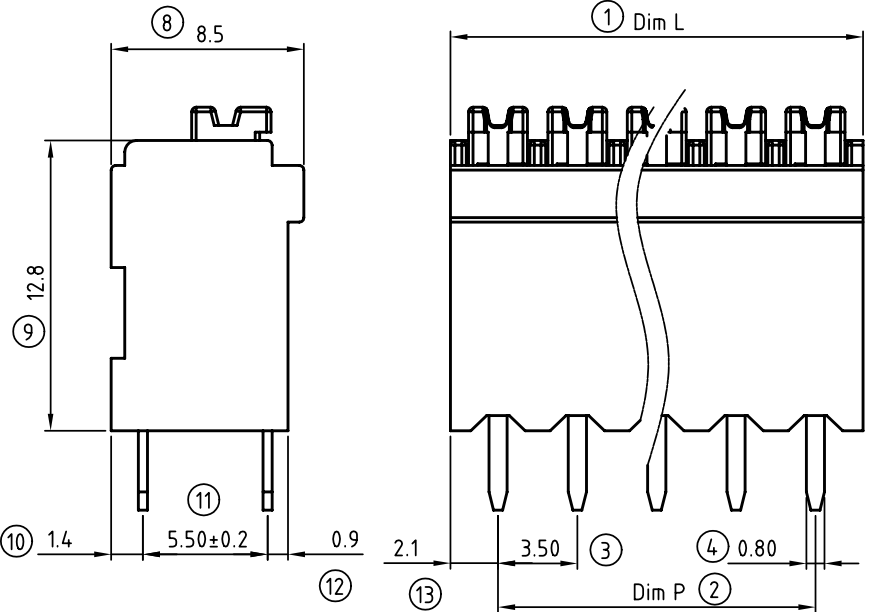
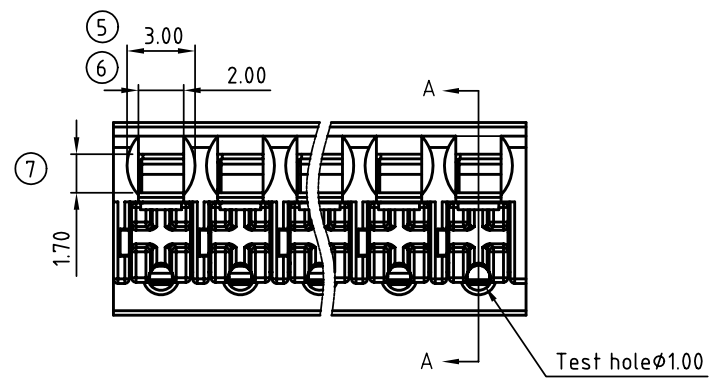
THIS IS CAD DRAWING, DO NOT REVISE MANUALLY!!!

Material:

- Item (A) Lever: Thermoplastic (UL 94V-0)
- Item (B) Terminal housing: Thermoplastic (UL 94V-0)
- Item (C) Wire guard: Stainless steel
- Item (D) Solder Pin: Brass.Tin plated

Electrical:

- Voltage rating: 300 V
- Current rating: 10 A
- Wire range:
- Solid wire(AWG): 16-24
- Stranded wire(AWG): 16-24
- Wire strip length: 12-13 mm
- Withstanding Voltage: 1.6KV
- Operating temperature: -40°C to +115°C
- Soldering temperature: 250°C±10°C/5 Sec
- Safety Approval: cULus

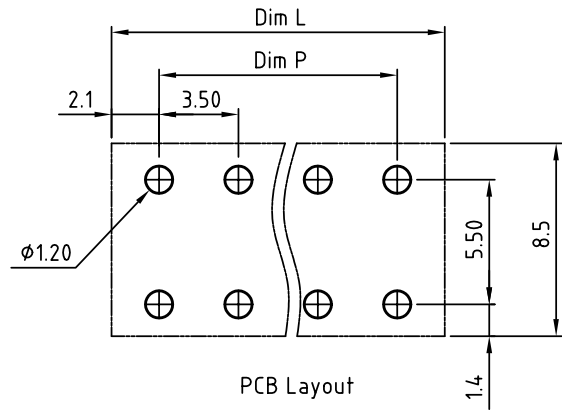


NM xx 10 x 0 xxxx G

- No. OF POLES
- 02 2 CONTACTS
- 03 3 CONTACTS
-
- 24 24 CONTACTS

- Color
- 0 Black (RAL9005)
- 3: Orange (RAL 2011/P)
- 5: GREEN (RAL 6018/T)
- 6: Blue (RAL5015/A)
- 8: GREY (RAL 7004/P)

G: Pb<40000ppm
A000: "@ " Logo (Standard)
A00A: "ANYTEK" Mark
Any special item by customer request. please contact sales department.



N=NUMBER OF CONTACTS

DIM		TOL			
		2P--6P	7P--12P	13P--18P	19P--24P
Dim L	N×3.5+0.70	±0.15	±0.20	±0.30	±0.40
Dim P	(N-1)×3.5	±0.15	±0.20	±0.30	±0.40

ANYTEK

CUSTOMER COPY

ALL RIGHTS RESERVED. REPRODUCTION OR ISSUE TO THIRD PARTIES IN ANY FORM WHATSOEVER IS NOT PERMITTED WITHOUT WRITTEN AUTHORITY FROM THE PROPRIETOR. PROPERTY OF ANYTEK TECHNOLOGY CO., LTD

TITLE		NM 3.5 Series Vertical 90° wire inlet			
PART NO.		NMxx10x0xxxxG		DWG NO. 8NM0101	
APPROVED	CHECKED	DESIGNED	DRAWN	CUST NO.	
		Runner 2011.10.27	Chen Bo 2011.03.31		
				Tolerance	
				UNIT: mm	X. ±0.50
				SCALE: NONE	X.X ±0.30
					X.XX ±0.10
					X° ±1°
SHEET: 01/01				REV.: A2	