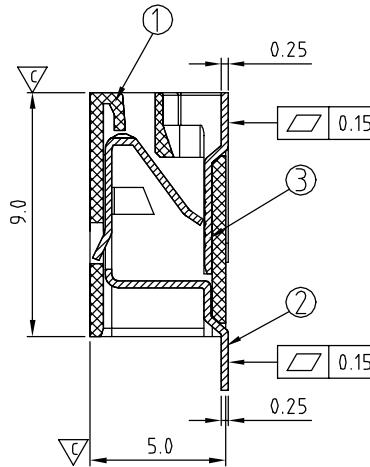


N=Number of poles

Dim.L	$(N-1) \times 2.5+3.0$
Dim.A	$(N-1) \times 2.5+6.9$
Dim.B	$(N-1) \times 2.5$
Dim.D	$(N-1) \times 2.5+5.0$

POLES	TOLERANCE
2P - 7P	-0.15/+0.15
8P -13P	-0.20/+0.20
14P - 20P	-0.30/+0.30



SIGN	DATE	DESCRIPTION	APPROVER
△		<i>THIS IS CAD DRAWING, DO NOT REVISE MANUALLY!!</i>	

Material:

- Item 1 Terminal housing:High temp. polyamide (UL94V-0)
- Item 2 Long solder pin: PhBz, Tin plated
- Item 3 Short solder pin: Brass .Tin plated
- Item 4 Solder pin: Brass .Tin plated

Electrical cULus

- Voltage rating: 150VAC
- Current rating: 5A
- Wire range:
- Solid wire(AWG): 20-26
- Stranded wire(AWG): 20-26
- Wire strip length: 6-7mm
- Withstanding Voltage: 1.6KV
- Operating temperature: -45°C to +65°C
- Soldering temperature: 280°C/10 Sec
- Safety Approval:
- Critical dimension: ▽

NQ xx 0 0 x 0 xxxx G

No. OF POLES: 02: 2 POLES
 ...
 20: 20 POLES

color: 0: BLACK

G: RoHS compliant (lead<4%)
 In copper Alloy

0000: "@ Logo (Standard)
 000A: "ANYTEK" Mark
 Any special item by customer request.
 please contact sales department.

P.C.B. LAYOUT

ANYTEK				CUSTOMER COPY				
ALL RIGHTS RESERVED. REPRODUCTION OR ISSUE TO THIRD PARTIES IN ANY FORM WHATSOEVER IS NOT PERMITTED WITHOUT WRITTEN AUTHORITY FROM THE PROPRIETOR. PROPERTY OF ANYTEK TECHNOLOGY CO., LTD								
TITLE		NQ 2.5mm Series With flange (SMT)				DWG NO.		8NQ0001
PART NO.		NQxx00x0xxxxG				CUST NO.		
APPROVED		CHECKED	DESIGNED	DRAWN	Tolerance			
			Chen Bo 10/18'12	Chen Bo 10/18'12				X. ±0.50
					UNIT: mm			X.X ±0.30
					SCALE: NONE			X.XX ±0.10
					SHEET: 01/01			X° ±1°
					REV.: A4			