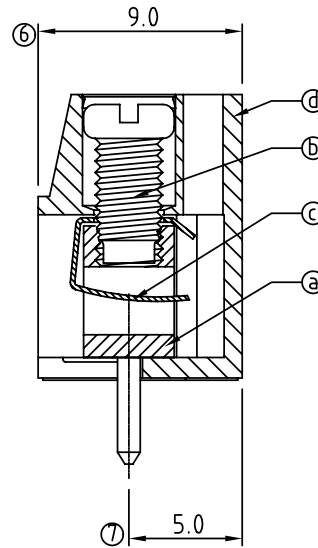
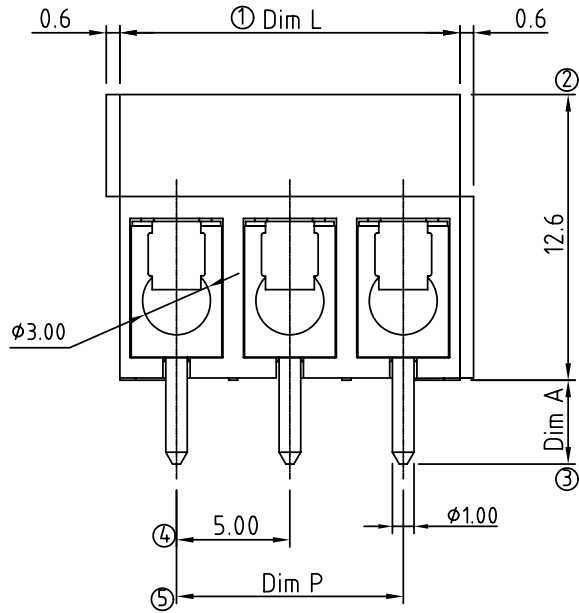
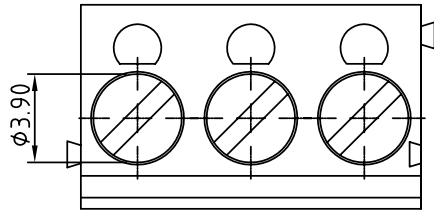


SIGN	DATE	DESCRIPTION	APPROVER
△	12.01'09	Wire range changed from 1.0-2.5mm ² to 0.5-2.5mm ²	Kind
△	12.01'09	Operating Tem. changed from -30° 105° to -40° 115°	Kind
△	05/18`10	Solid wire changed from 14-22 to 14-26	Tason
△	05/18`10	Stranded wire changed from 14-22 to 14-26	Tason
△	05/18`10	Torque changed from 2.6Lb-In/0.6Nm to 2.6Lb-In/0.5Nm	Tason

THIS IS CAD DRAWING, DO NOT REVISE MANUALLY!!!



Material

- (a) Terminal body : Brass(CuZn) , Tin plated
- (b) Terminal screw: Steel Zinc plating "-" slot type
- (c) Wire guard: Stainless steel
- (d) Terminal housing: Thermoplastic (UL94V-0)

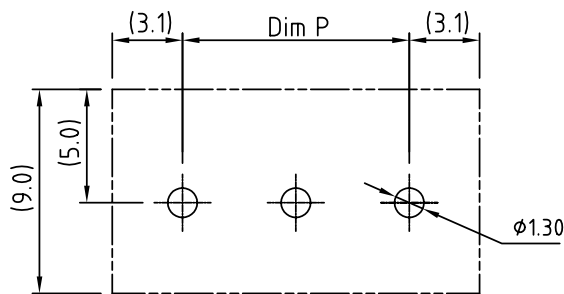
Electrical UL/VDE

- Voltage rating: 250VAC/250VAC
- Current rating: 16A/16A
- △ ● Wire range: 0.5-2.5mm²
- △ ● Solid wire(AWG): 14-26
- △ ● Stranded wire(AWG): 14-26
- △ ● Torque: 2.6Lb-In/0.5Nm
- Screw: M3
- Wire strip length: 6-7mm
- Withstanding Voltage: 1.5KV/2KV
- △ ● Operating temperature: -40°C to +115°C
- Soldering temperature: 250°C±10°C/5 Sec
- SAFETY APPROVAL DETA:



TA xx 01 x x 0000G

02	2 CONTACTS	0	Black	Dim A	RoHS
03	3 CONTACTS	5	Green	0 4.4mm	Pb<40,000ppm
...	...	6	Blue	1 3.8mm	
24	24 CONTACTS	8	Grey	2 3.5mm	



RECOMMENDED PCB LAYOUT

N = Number of poles
 Dim L = N x 5.0
 Dim P = (N - 1) x 5.0

	Dim L	Dim P
2-6p	±0.15	±0.10
7-12p	±0.20	±0.20
13-18p	±0.30	±0.25
19-24p	±0.40	±0.30

ANYTEK

CUSTOMER COPY

ALL RIGHTS RESERVED. REPRODUCTION OR ISSUE TO THIRD PARTIES IN ANY FORM WHATSOEVER IS NOT PERMITTED WITHOUT WRITTEN AUTHORITY FROM THE PROPRIETOR. PROPERTY OF ANYTEK TECHNOLOGY CO., LTD

TITLE		TA - 5.0mm series "-"			
PART NO.		TAxx01xx0000G		DWG NO. 8TA0011	
APPROVED	CHECKED	DESIGNED	DRAWN	CUST NO.	
		Tason	Kind		
		2010.05.18	2009.12.01		
				SHEET: 01/01	
				UNIT: mm SCALE: NONE REV.: D	
				Tolerance X. ±0.50 X.X ±0.30 X.XX ±0.10 X° ±1°	