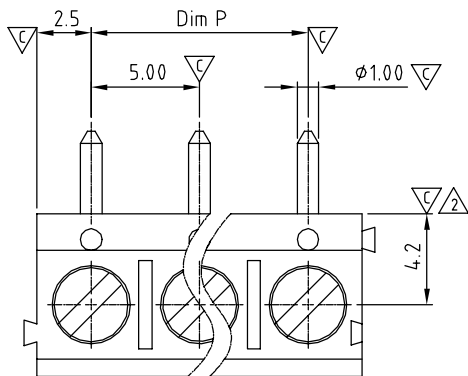


SIGN	DATE	DESCRIPTION	APPROVER
△	5/8'10	Add the tolerance table	Tason
△	5/8'10	Add the dimensions	Tason

*THIS IS CAD DRAWING, DO NOT REVISE MANUALLY!!!*



**DIMENSION**

Dim L	N×5.0
Dim P	(N-1)×5.0

N=Number of poles

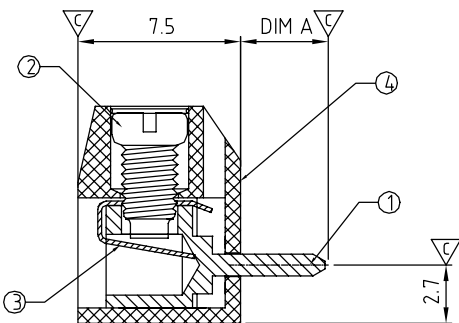
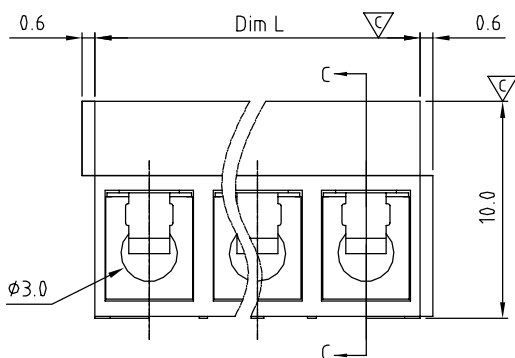
Poles	DIM P	DIM L
2p-6p	±0.15	±0.20
7p-12p	±0.20	±0.25
13p-18p	±0.25	±0.35
19p-24p	±0.35	±0.40

**Material**

- Item ① Terminal body(metal housing): Brass(CuZn),Tin plated
- Item ② Terminal screw: Steel Zinc plating "-" slot type
- Item ③ Wire guard :stainless steel
- Item ④ Terminal (housing): Thermoplastic (UL94V-0)

**Electrical cULus**

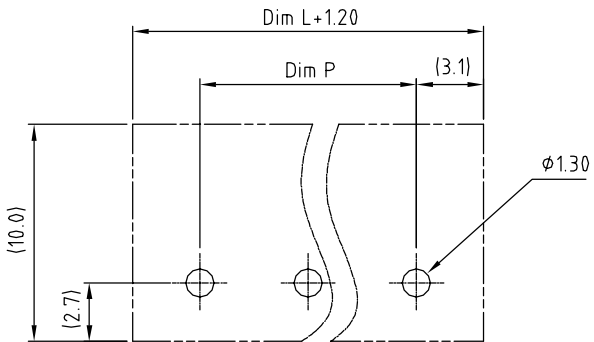
- Voltage rating: 250V
- Current rating: 16A
- Wire range:
- Solid wire(AWG): 14
- Stranded wire(AWG): 16
- Torque(Lb-In): 2.6
- Screw: M2.6
- Wire strip length: 5-6mm
- Withstanding Voltage: 1.5KV
- Operating temperature: -40°C to +115°C
- Soldering temperature: 250°C±10°C/5 Sec
- Safety Approval: cULus
- Critical dimension: C



SECTION C-C

**TD xx 0 1 x x xxxx G**

End Stackable	Color	DIM A Length	@ logo
02 02 CONTACTS	0 Black (RAL9005)	0 4.4mm	000 0 ANY logo
03 03 CONTACTS	2 Red (RAL3001/D)	1 3.8mm	Any special item by customer request, please contact sales department.
...	3 Orange(RAL2011/P)	2 3.5mm	
24 24 CONTACTS	4 Yellow(RAL1018/A)		
	5 Green(RAL6018/T)		
	6 Blue (RAL5015/A)		
	8 Grey(RAL7035/D)		



RECOMMENDED PCB LAYOUT

<b>ANYTEK</b>		<b>CUSTOMER COPY</b>	
ALL RIGHTS RESERVED. REPRODUCTION OR ISSUE TO THIRD PARTIES IN ANY FORM WHATSOEVER IS NOT PERMITTED WITHOUT WRITTEN AUTHORITY FROM THE PROPRIETOR. PROPERTY OF ANYTEK TECHNOLOGY CO., LTD			
TITLE	TD-5.0mm series 2p-24p "-"		
PART NO.	TDxx01xxxxxG	DWG NO.	8TD0011
APPROVED	CHECKED	DESIGNED	DRAWN
			Chen Bo 2011.07.22
SHEET: 01/01		Tolerance	
UNIT: mm		X. ±0.50	
SCALE: NONE		X.X ±0.30	
REV.: C		X.XX ±0.10	
		X° ±1°	