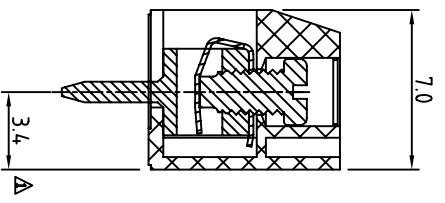
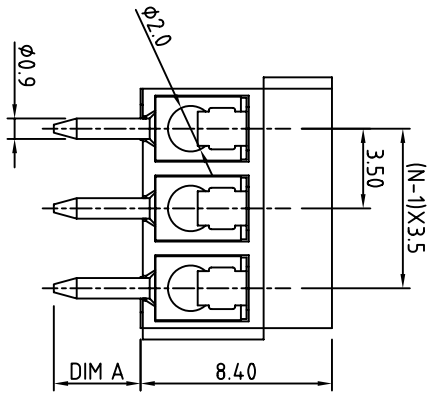
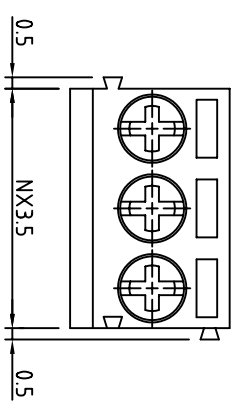
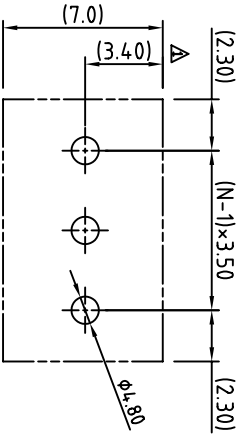


SIGN	DATE	DESCRIPTION	APPROVER
Δ	12.23.04	Dim is changed from 4.0mm to 3.4mm.	Harvin
Δ			
Δ			





N=Number of contacts



P.C.B. LAYOUT

- Material:
- Terminal body
 - (metal housing): Brass(CuZn)
 - Terminal screw: Steel Yellow Chromated Zinc
- “+/-” slot type.
- Wire guard: Stainless steel
 - Surface of solder tail: Tin plated
 - Insulator(housing): Thermoplastic (UL94V-0)

- Electrical:
- | | |
|--|-----------|
| UL | CSA |
| ● Voltage rating: 125V | 125V |
| ● Current rating: 10A | 10A |
| ● Wire range: | |
| ● Solid wire(AWG): | 16-22 |
| ● Stranded wire(AWG): | 16-22 |
| ● Torque: 1.7Lb-In | 4. Kgf.cm |
| ● Screw: M2 | |
| ● Wire strip length: 5-6mm | |
| ● Withstanding Voltage: 1.25 KV | 1.25 KV |
| ● Operating temperature: -30°C to +105°C | |
| ● Soldering temperature: 245°C(±10°C/5 Sec | |
- Safety Approval:  

TEXX 00 XX 0000G

No. OF POLES: 02: 2P, ... 24: 24P

COLOR: 0: BLACK, 1: 3.8mm, 2: 3.5mm, 5: GREEN, 6: BLUE, 8: GREY

DIM A: 0: 4.4mm, 1: 3.8mm, 2: 3.5mm

G: Pb<40000ppm

ANYTEK

CUSTOMER COPY

ALL RIGHTS RESERVED. REPRODUCTION OR ISSUE TO THIRD PARTIES IN ANY FORM WHATSOEVER IS NOT PERMITTED WITHOUT WRITTEN AUTHORITY FROM THE PROPRIETOR. PROPERTY OF ANYTEK TECHNOLOGY CO., LTD

TITLE	TE 3.5mm series “+/-”			DWG NO.	8TE0001		Tolerance
PART NO.	TEXX00xx0000G			CUST NO.			X: ±0.50
APPROVED	CHECKED	DESIGNED	DRAWN				X.X: ±0.30
			xionghaitao				X.XX: ±0.10
			2006.01.17	SHEET: 01/01	REV.: C		X ^o : ±1°