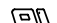


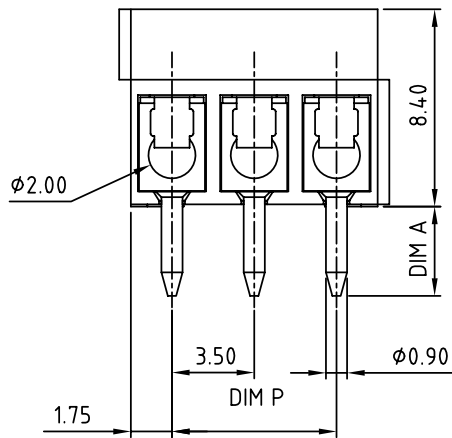
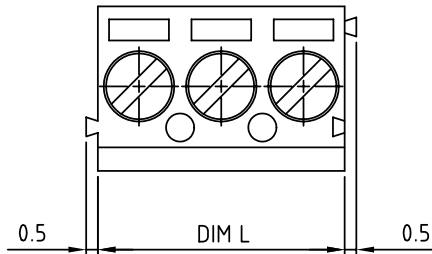
SIGN	DATE	DESCRIPTION	APPROVER
△	03/08'10	Standard spec is changed.	JXO

Material

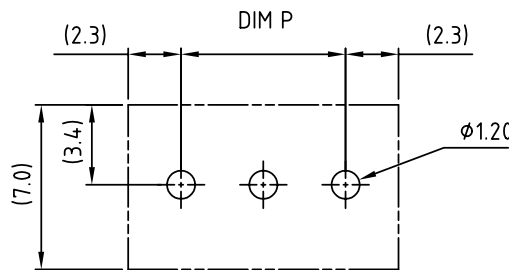
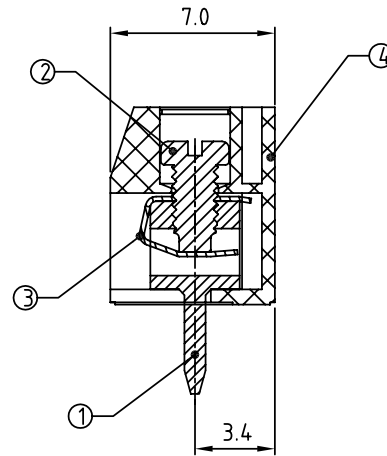
- Item ① Terminal body(metal housing): Brass(CuZn),Tin plated
- Item ② Terminal screw: Steel Zinc plating "-" slot type
- Item ③ Wire guard :stainless steel
- Item ④ Insulator (housing): Thermoplastic (UL94V-0)

△ Electrical UL

- Voltage rating: 125V
- Current rating: 10A
- Wire range:
- Solid wire(AWG): 16-26
- Stranded wire(AWG): 16-26
- Torque: 1.7Lb-In
- Screw: M2
- Wire strip length: 5-6mm
- Withstanding Voltage: 1.25KV
- Operating temperature: -40°C to +115°C
- Soldering temperature: 250°C±10°C/5 Sec
- Safety Approval: 



N=Number of contacts



P.C.B. LAYOUT

N=Number of contacts

Dim.L = N x 3.5

Dim.P = (N-1) x 3.5

Dim	Poles	2P-6P	7P-12P	13P-18P	19P-24P
Dim.L		±0.10	±0.20	±0.30	±0.40
Dim.P		±0.10	±0.15	±0.25	±0.35

TE xx 0 1 x x xxxx G

POLES	COLOR	DIM A Length	000 0 @ logo
02 02 CONTACTS	0 BLACK	0 4.4mm	000 A ANY logo
03 03 CONTACTS	5 GREEN	1 3.8mm	Any special item by customer request,
...	6 BLUE	2 3.5mm	please contact sales department.
24 24 CONTACTS	8 Grey		

ANYTEK

CUSTOMER COPY

ALL RIGHTS RESERVED. REPRODUCTION OR ISSUE TO THIRD PARTIES IN ANY FORM WHATSOEVER IS NOT PERMITTED WITHOUT WRITTEN AUTHORITY FROM THE PROPRIETOR. PROPERTY OF ANYTEK TECHNOLOGY CO., LTD

TITLE	TE 3.5mm series "-"			DWG NO.	8TE0002	
PART NO.	TExx01xxxxxxG			APPROVED	CHECKED	DESIGNED
	Marvin 2007.02.02	Marvin 2007.02.02	Marvin 2007.02.02	DRAWN	CUST NO.	
					Tolerance	
					X.	±0.50
					X.X	±0.30
					X.XX	±0.10
					X°	±1°
					UNIT: mm	
					SCALE: NONE	
					REV.: B	
					SHEET: 01/01	